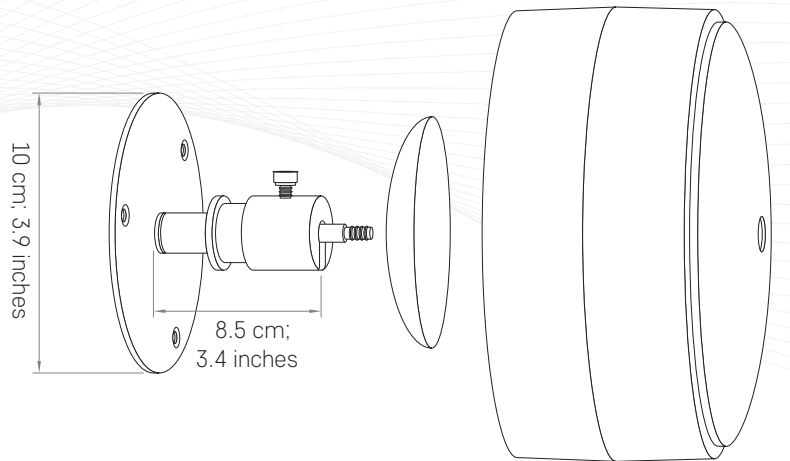


Wall Mount Adapter

Mount the Loudspeaker (LA) to a structure, such as a wall. Simply unscrew the insert from the top of the loudspeaker and replace it with the clip removed from the bottom. Place the adapter's support plate on the back of the loudspeaker. Insert the threaded end of the swivel bracket into the support plate and loudspeaker, and turn to tighten. Install in the desired location and adjust the angle, as needed.



A side view showing the swivel bracket that allows the loudspeaker to be positioned in the desired direction.



WMA

Mounting

Number of Screws	3
Maximum Diameter	0.164 inches (#8) with flat head

Physical Specifications

Dimensions	See above diagram
Color	White
Material	Powder-coated aluminum & stainless steel
Weight	0.22 kg; 0.49 lbs

SPECIFICATIONS